

trone



catalog

trone

WHEN THE INTIMATE
BECOMES EXQUISITE

CONTENTS

PAGE 06-09

TRONE

→

PAGE 10-11

KNOW-HOW

→

PAGE 12-13

COLLECTIONS

→

TOILETS

→

FLUSH-PLATE

→

ICONE
CALLIPYGE

16
20

KAOLINE

24

ACCESSORIES

→

BASINS & HAND-BASINS

→

AURA
SCEPTRE
PANDORE

32
34
36

ORBE
RITUEL

40
46

MIXER TAPS

→

SIPHONS

→

CELESTE
MAGE
ARC

54
56
58

ENCELADE

62

PAGE 64-77

RÉALISATIONS

→

PAGE 78

SHOWROOM

→

MANIFESTO



Trone was born from a desire for disruption.

Trone challenges conventions, commands attention, and shatters expectations.

Trone creates objects unlike any other.

Trone simplifies use while amplifying emotion.

Trone is free, nonchalant, and irreverent.

Trone doesn't ask. It defines the vision.

Trone draws inspiration from pure forms, natural forces, and radical geometries.

Trone defies conventions and stands at the forefront of trends.

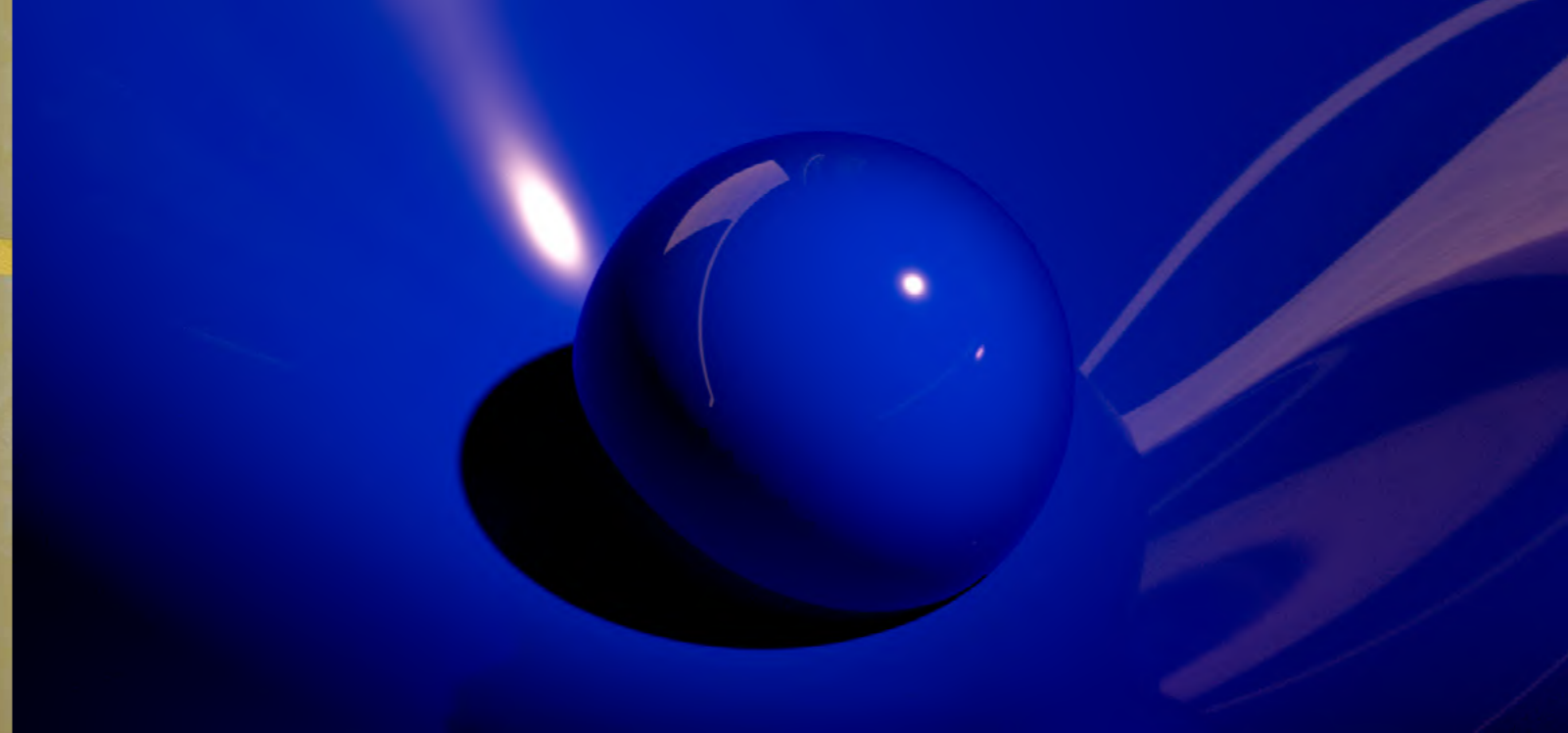
Trone stirs when others stay still.

Trone dares where others give up.

Trone disrupts, but also soothes.

Trone surprises, provokes, and never leaves anyone indifferent.

Trone is mineral poetry, a spark of matter, a burst of brilliance that elevates the everyday.



HISTORY

Trone is born from the desire to reinvent the everyday. From the start, Trone challenges conventions with *Icône*, a revolutionary toilet that frees 250 years of stillness. The translucent water column, the luminous ceramic, and the sculpted volumes together redefine the essentials.

Innovation becomes Trone's signature. *Callipyge* astonishes with asymmetrical lines and a three-tiered sculptural form. True to its pioneering spirit, Trone extends its signature to the bathroom, unveiling basins and mixers whose pure forms and vibrant colors shape the space with elegance and intention.

Trone inhabits hotels, restaurants, and other exceptional venues. Every detail sparks wonder and leaves visitors with lasting memories far beyond the moment.

The same vision carries into private interiors, where its creations become essential design pieces, elevating each space. A gesture of style and boldness that now enchants homes across the world.

To explore this universe, Trone opens the doors of its Paris showroom, a place where the unseen becomes sublime.

VISION

At Trone, the unseen unfolds. Nothing is left to chance. Every piece is deliberate, crafted with care. Volumes expand, colors pulse, ceramics stir with presence.

Our mission?

To reinvent the bathroom experience, transforming it into a space of expression, freedom, and beauty, a place where one feels completely at ease, and above all, a place that lingers in memory.

INSPIRATIONS

Trone draws its inspiration from the free lines of nature, particularly the movement of water. It is in the pursuit of its refinement that *Icône's* transparent column was born, and by observing water's erosive work, we designed the *Rituel* basin. Like water,

we embrace asymmetry, irregular curves, and the subtle imperfections that move us. By rejecting standardization as a given, each creation becomes a manifesto: a reinvention of the everyday, irreverent and alive.

KNOW-HOW

Trone is the result of a collective effort, driven by a passion for design and craftsmanship. Architects, artisans, and engineers work together, creating a subtle dialogue between creativity and precision, where every gesture matters. While our pieces are designed in our Paris studio, they come to life in France, Italy, and Portugal, the cradles of ceramic artistry. It is the continuation of an enduring tradition: European craftsmanship at its finest.



THE ART OF CERAMICS

Ceramics is an art of patience. It stretches, hardens, and transforms in rhythm with fire and hand. It all begins with slip: fine clay paste poured into a plaster mold and left to dry for a week, according to the humidity of the air and the seasons. Meanwhile, oxides are ground, and enamels are carefully mixed. Then comes the firing: 1270°C, 24 hours.

It is this slow fire that reveals the depth of the colors, the translucency of the material, and its clear, pure resonance. At Trone, each piece follows its own tempo. Because time remains the truest measure of craft.

THE EXPERTISE OF STAINLESS STEEL

Built to withstand the demands of daily life, our mixers embody the balance of strength, precision, and design. They are crafted in northern Italy, where founders, welders, and polishers unite tradition with technique. Brass and stainless steel are cast at high temperatures in custom-designed molds. Each body is polished and assembled by hand to ensure brilliance and longevity. With *Celeste*, Trone pushes the boundaries of innovation once again, bringing an object of distinction to life. Every creation reflects our vision of design: free, daring, irreverent.

TOILETS

FLOOR-STANDING & WALL-HUNG

ICONE
CALLIPYGE



FLUSH-PLATES

KAOLINE



BASINS

COUNTERTOP

ORBE
RITUEL



HAND BASINS

COUNTERTOP OR WALL-HUNG

ORBE
RITUEL



ACCESSORIES

COUNTERTOP OR WALL-HUNG

AURA
SCEPTRE
PANDORE



COLLECTIONS

MIXERS

COUNTERTOP, WALL-HUNG & HAND BASIN

CELESTE
MAGE
ARC



SIPHONS

STANDARD & SPACE-SAVING

ENCELADE





TOILETS



ICONE



HYDRAWISE™ TECHNOLOGY

Icone introduces a new kind of sobriety. Thanks to its patented HydraWise™ technology, each flush releases just the right amount of water. A discreet yet significant saving, up to 30% less consumption, in a gesture thoughtfully redefined.



FUNCTION IS NOT OPTIONAL

Rimless bowl, powerful and targeted jets: Icone eliminates residues before they even appear. Immediate hygiene, effortless and precise, driven by invisible engineering.



ELEVATE THE ESSENTIAL

Icone makes visible what we no longer notice: the flow of water, its measure, its trace. The transparency of its tank is both a design choice and an invitation to awareness: a way to bring a more direct, more aesthetic relationship with our daily habits.

ICONE

DESCRIPTION

With its transparent water tank and colored ceramic, Icone is more than a toilet. It is a fully visual and sensory experience.

FEATURES

General

- Floor-standing toilet
- Rimless bowl
- Wooden seat, PMMA tank
- Customizable water consumption: 0.5L to 6L
- Complies with accessibility standards (PMR)
- Warranty: 2 years
- Franco-Italian manufacturing

Technical information

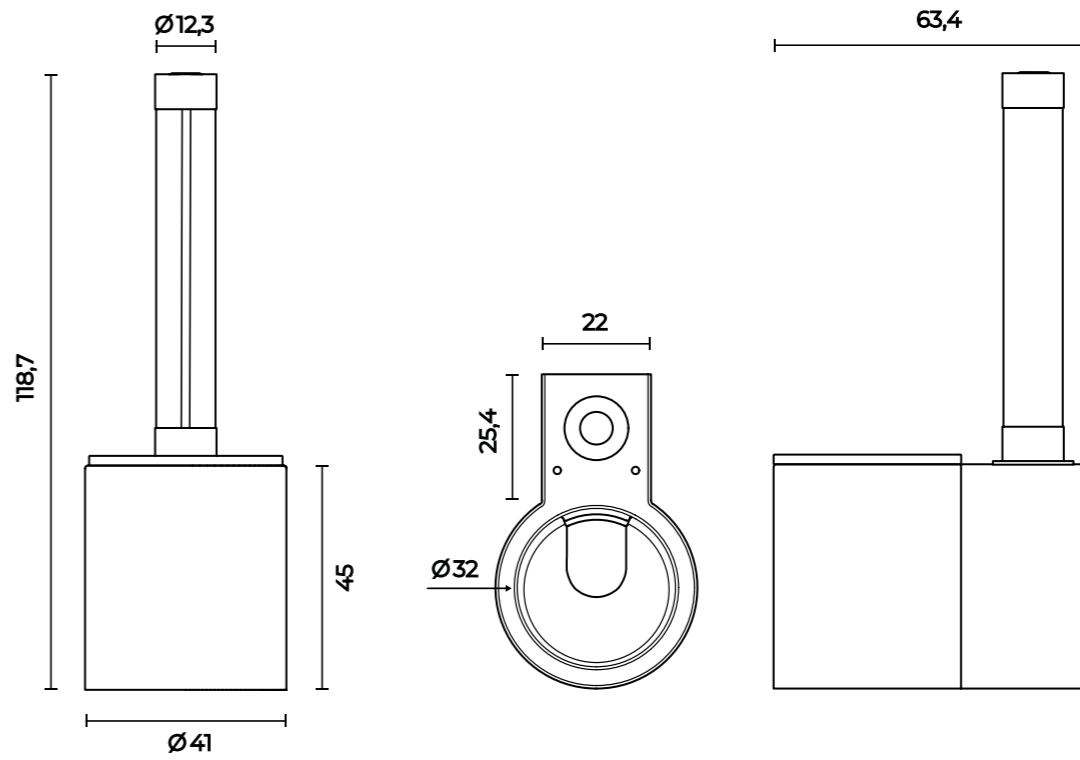
- Waste outlet: horizontal or vertical
- Dimensions : 63 x 41 x 45 cm
- Weight: 44 kg

Materials

- Ceramic
- Stainless steel

Colors

	White 9003		Blue 5022
	Black 7016		Flaked Blue 5022
	Pink 3015		Flaked Green 6000
	Cream 1013		





CALLIPYGE



INNOVATIVE CURVES

Inspired by ancient amphitheatres, Callipyge asserts its asymmetrical, wall-hung silhouette. Three levels of ceramic sculpt the light and give it a strong architectural presence.



FUNCTIONAL ELEGANCE

Rimless, with no compromises. Its bowl ensures perfect hygiene and precise rinsing, thanks to a fine control of water flow. When technique elevates function.



PRECISION IN EVERY DETAIL

Every element is crafted with precision. The seat, custom-designed, aligns perfectly with the bowl. Stainless steel hinges, both subtle and resilient, provide stability and lasting performance. A quiet standard of excellence, devoted entirely to comfort.

CALLIPYGE

DESCRIPTION

Callipyge, from the Greek *kalòs* and *pugê*, means "beautiful buttocks." A bold reference for a sculptural object. Wall-hung, asymmetrical, and colorful, it asserts its presence. Crafted between France and Italy, Callipyge combines artisanal precision, radical form, and simplified installation. A toilet that goes beyond its function.

FEATURES

General

- Wall-hung toilet
- Rimless bowl
- Soft-close seat and cover
- Minimal water consumption: 2.5L & 4.5L
- Complies with accessibility standards (PMR)
- Warranty: 2 years
- Franco-Italian manufacturing
- To be paired with our *Kaoline* flush plate

Technical information

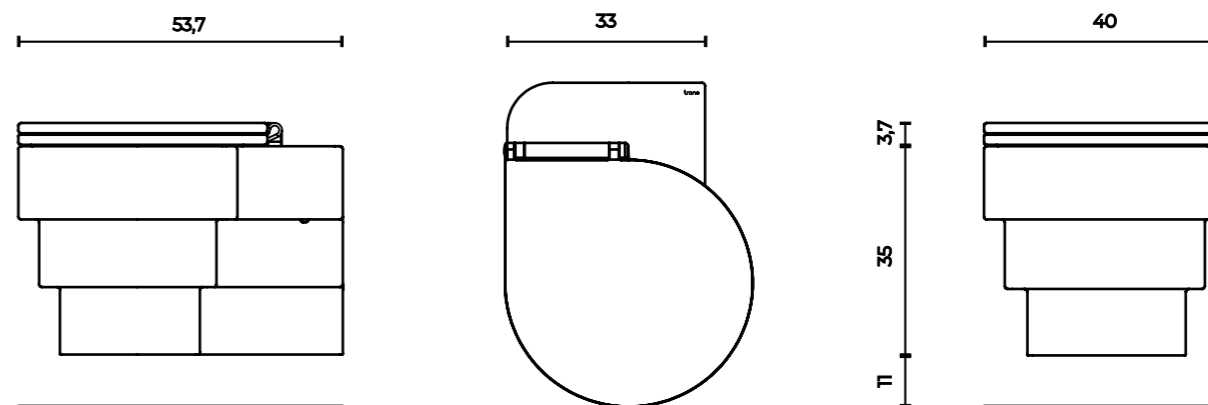
- Compatible with all wall-hung frames
- For integration with our *Kaoline* flush plate, choose a Sigma frame from Geberit
- Dimensions : 53.7 x 40 x 38.7 cm
- Weight: 31 kg

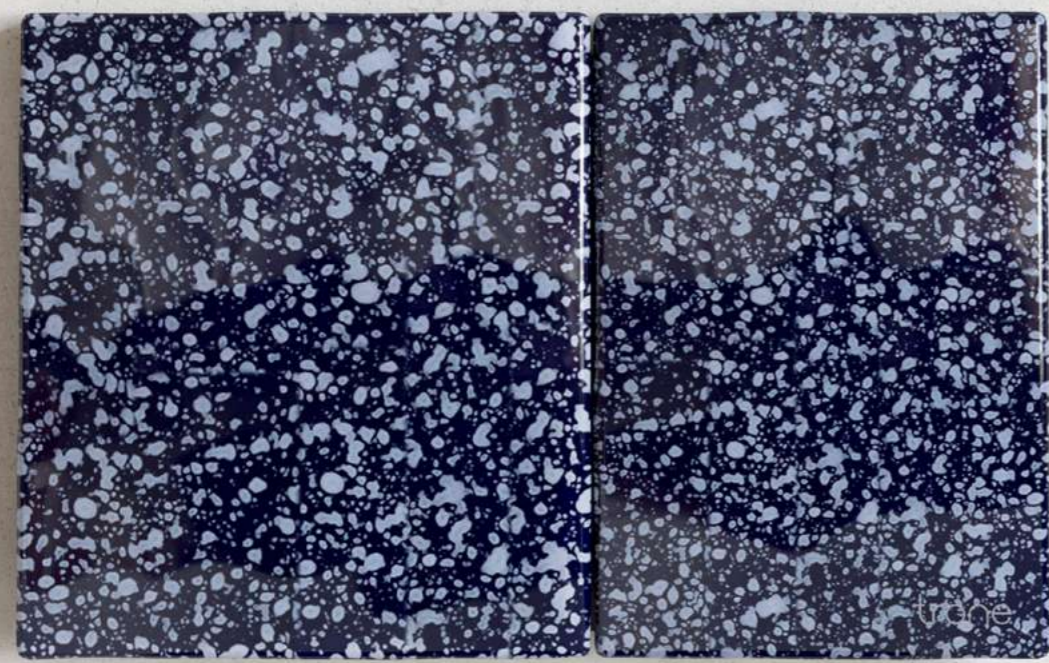
Materials

- Ceramic
- Stainless steel

Colors

 White 9003	 Cream 1013
 Black 7016	 Peach 1034
 Pink 3015	 Flaked Blue 5022
 Blue 5022	 Flaked Green 6000





KAOLINE



SEAMLESS HARMONY

Echoing the hues of Callipyge, Kaoline carries its formal language through every detail. Together, they create a harmonious duo, orchestrated to unify the bathroom with elegance.



SIMPLE AND PURE

The radical lines of Kaoline capture only what is essential: two geometric touches for two functions. Stripped of the superfluous frame that traditionally surrounds control plates, Kaoline's design is discreet, precise, and timeless.



THE CHOICE OF CERAMIC

Durable, hygienic, and resilient, ceramic asserts itself here as the obvious choice. This noble material gives Kaoline its tactile quality and perceived value, in keeping with the exacting standards of the entire collection.

KAOLINE

DESCRIPTION

Derived from the word *kaolin*, the mineral at the origin of ceramics, Kaoline is the first flush plate made from this material and glazed in Trone's signature colors. Two shapes, one clear statement: a square and a rectangle, designed to meet daily use with clarity and precision.

FEATURES

General

- Ceramic flush plate
- Two buttons: small flush (right), large flush (left)
- Hidden fixings
- Complies with accessibility standards (PMR)
- Warranty: 2 years
- Franco-Italian manufacturing

Technical information

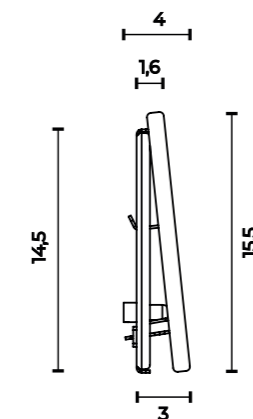
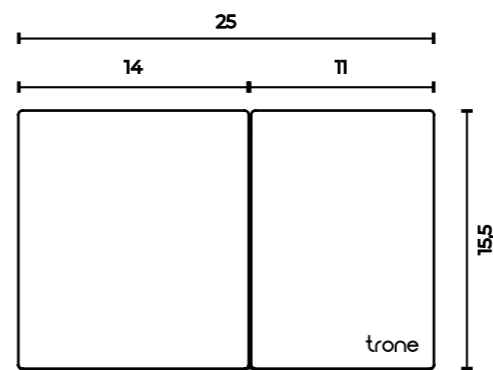
- Dimensions : 25 x 15.5 x 3.2 cm
- Weight: 1.5 kg
- Compatible with Geberit SIGMA 12 and SIGMA 8 frames

Material

- Ceramic

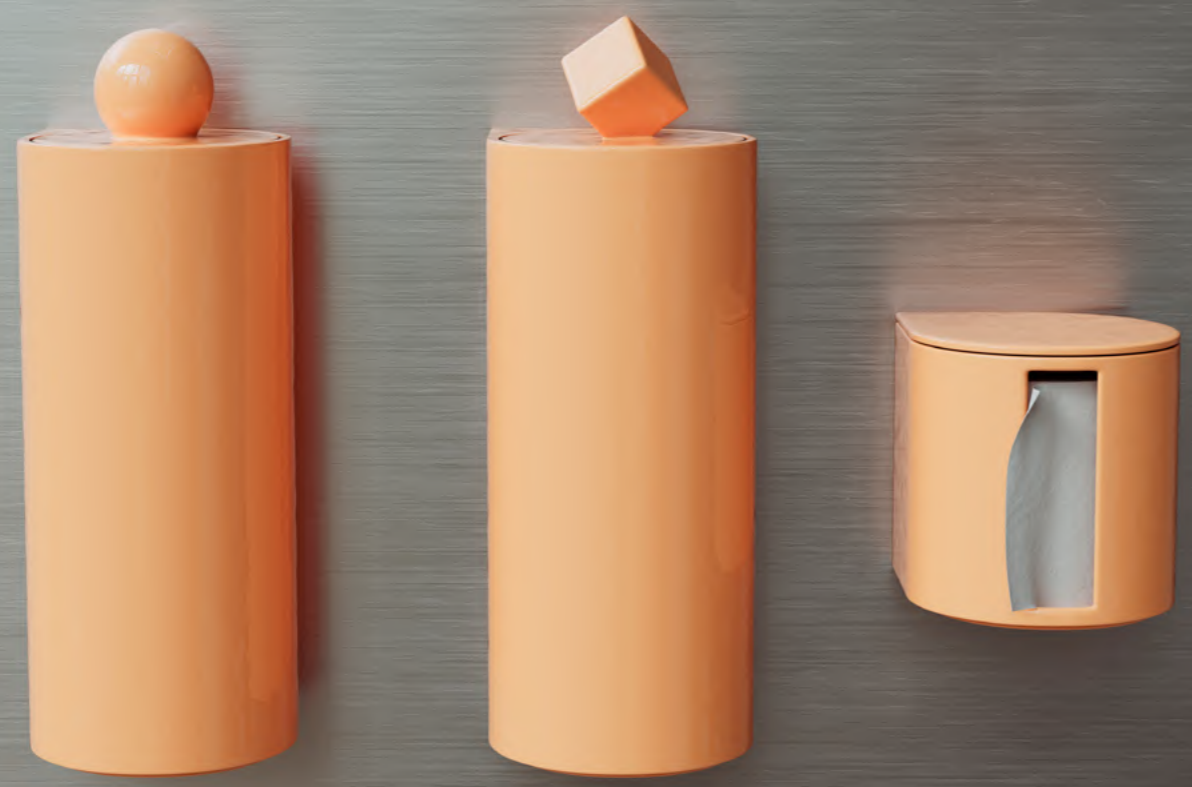
Colors

	White 9003		Cream 1013
	Black 7016		Peach 1034
	Pink 3015		Flaked Blue 5022
	Blue 5022		Flaked Green 6000





ACCESSORIES



TRIUM



EVERYDAY ICONS

Born to reconcile beauty and utility, the Trium collection is an invitation to elevate the ordinary. Where others might look away, we give them center stage.



PERFECT HARMONY

The first collection of accessories made entirely of ceramic. This series explores the harmony of forms and materials. Our pieces interact with one another: their lines extend, their colors respond, creating a natural harmony where each element finds its place.



DESIGNED BY US, COMPOSED BY YOU

An open collection, inviting you to create your own space, your own signature. On the wall, on furniture, or placed on the floor, our pieces combine freely, drawing a composition that reflects you.



DESCRIPTION

A designer toilet paper holder, crafted with intention. Simple, circular, essential. An elegant touch for the most ordinary gesture.

FEATURES

General

- Toilet paper holder, countertop or wall-mounted
- Franco-Portuguese manufacturing

Technical information

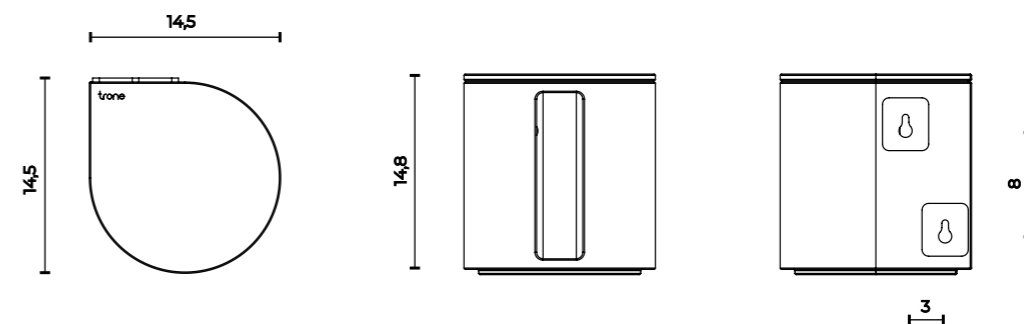
- Dimensions : 14.8 x 14.5 x 14.5 cm.
- Weight: 1.1 Kg

Materials

- Magnetic ceramic lid
- Ceramic base
- Steel spindle

Colors

	White 9003		Cream 1013
	Black 7016		Peach 1034
	Pink 3015		Flaked Blue 5022
	Blue 5022		Flaked Green 6000



DESCRIPTION

The slender silhouette of Sceptre outlines a sculptural gesture. It subtly combines hygiene and efficiency, offering a soothing presence in everyday life. A bold shape in the most unexpected place.

FEATURES

General

- Toilet brush, countertop or wall-mounted
- Franco-Portuguese manufacturing

Technical information

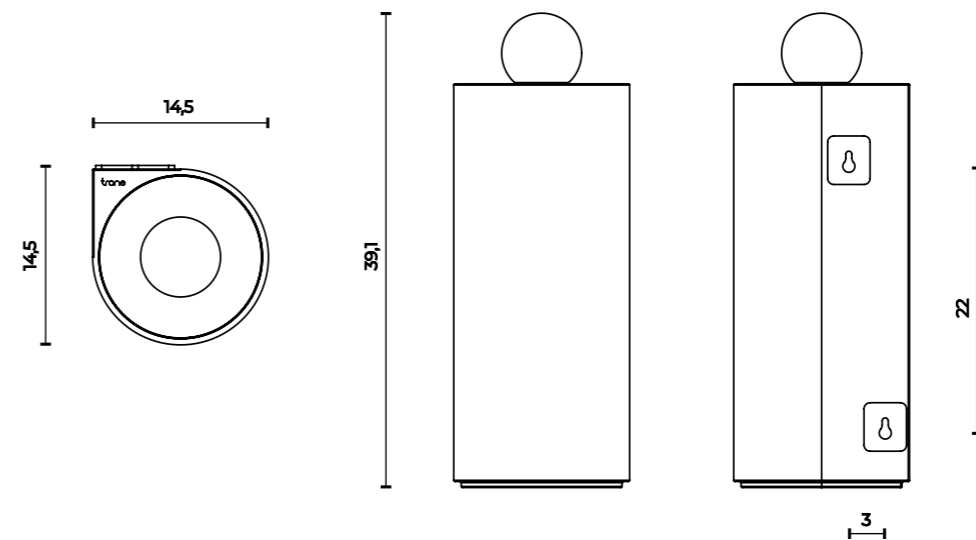
- Dimensions : 39.1 x 14.5 x 14.5 cm
- Weight: 2.1 Kg

Materials

- Ceramic lid and body
- Stainless steel handle
- TPE brush head
- Polypropylene reservoir

Colors

 White 9003	 Cream 1013
 Black 7016	 Peach 1034
 Pink 3015	 Flaked Blue 5022
 Blue 5022	 Flaked Green 6000





PANDORE

DESCRIPTION

A perfect volume, a ceramic set, a cube with clean lines, a design that catches the eye. Even the bathroom bin becomes an object of desire.

FEATURES

General

- Bathroom waste bin, countertop or wall-mounted
- Franco-Portuguese manufacturing

Technical information

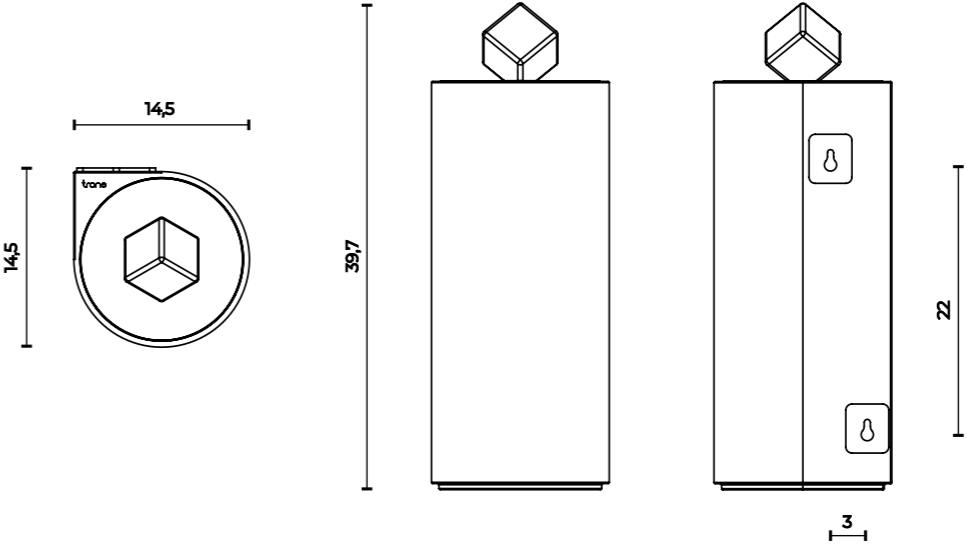
- Dimensions : 39.7 x 14.5 x 14.5 cm
- Weight: 2.1 Kg

Materials

- Ceramic lid and body
- Polypropylene bucket and support ring

Colors

 White 9003	 Cream 1013
 Black 7016	 Peach 1034
 Pink 3015	 Flaked Blue 5022
 Blue 5022	 Flaked Green 6000





BASINS & HAND BASINS



ORBE



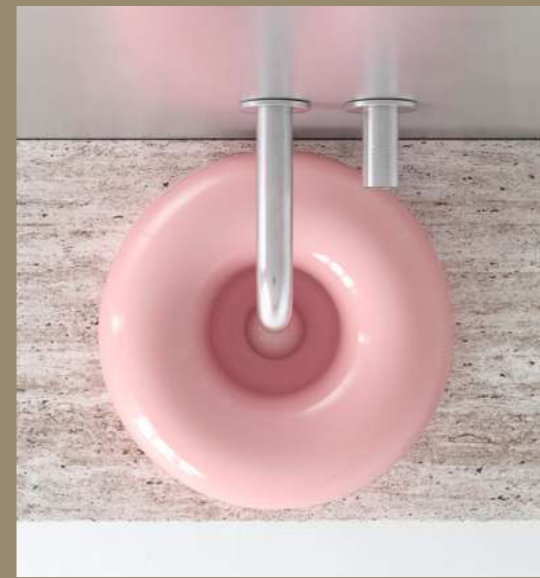
AN OBJECT OF DESIRE

The first *regalia* offered to kings, the orb embodied power contained within a perfect form. Trone draws inspiration from it to create its first collection of basins and hand basins: a bold, solid volume, marked by the tension between pure geometry and sensual expression.



A MATTER OF CERAMIC

Orbe is shaped from high-quality ceramic, honed with precision at every stage. From glazing to firing, each gesture reveals the material's depth, the purity of its colors, and the solidity of the form. Rendered in Trone's signature shades, it establishes a seamless visual continuity across the bathroom.



DETAIL AS SIGNATURE

Born from careful observation of water in motion, Orbe's drain echoes the shape of a droplet as it meets the water. Spherical, solid, and crafted in ceramic, it reflects the attention paid to every detail. The signature of the collection.

ORBE BASIN

DESCRIPTION

The first piece of the collection, the Orbe basin asserts a sculptural presence. Its design balances soft curves with geometric rigor, creating a form that is both sensual and structured. Available in our 8 colors, it gives character to any space.

FEATURES

General

- Countertop basin
- Warranty: 2 years
- Franco-Italian manufacturing
- *Note: drain included, faucet and siphon not included*

Technical information

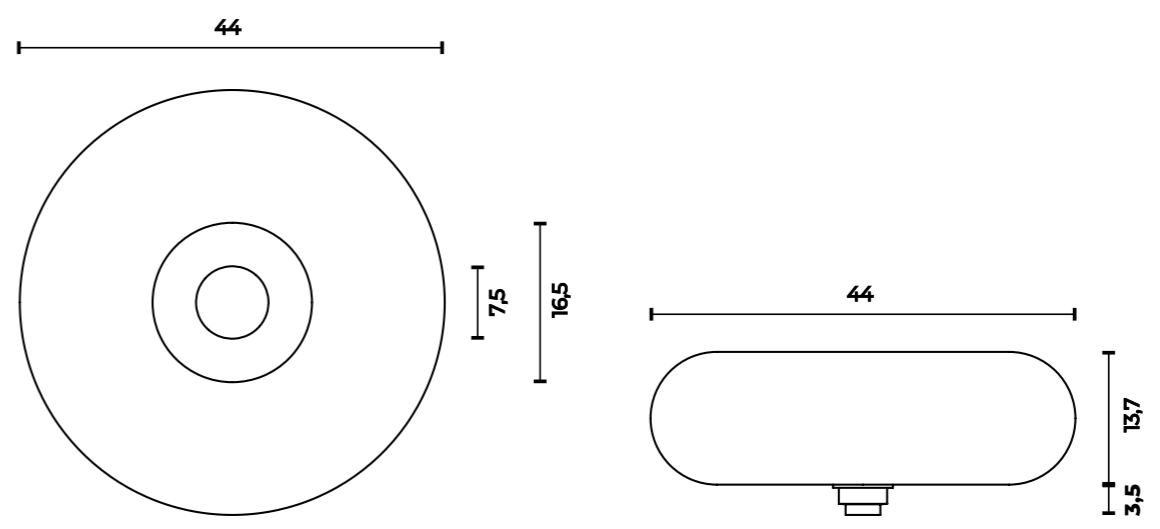
- Dimensions : Ø 44 x 13.7 cm
- Weight: 10 kg
- With free-flow drain
- Without overflow
- Tap hole options: no tap hole (for wall-mounted or floor-mounted faucets, or on furniture)

Material

- Ceramic

Colors

 White 9003	 Cream 1013
 Black 7016	 Peach 1034
 Pink 3015	 Flaked Blue 5022
 Blue 5022	 Flaked Green 6000



ORBE HAND-BASIN

DESCRIPTION

Compact yet distinctive, the Orbe hand basin condenses the essence of Trone's design. The same presence, the same formal demand as the basin, in a format designed for smaller spaces. A functional object, still designed to be desired.

FEATURES

General

- Countertop or wall-hung hand basin
- Warranty: 2 years
- Franco-Italian manufacturing
- *Note: drain included, faucet and siphon not included*

Technical information

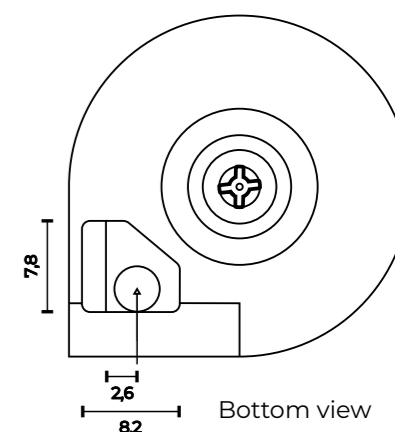
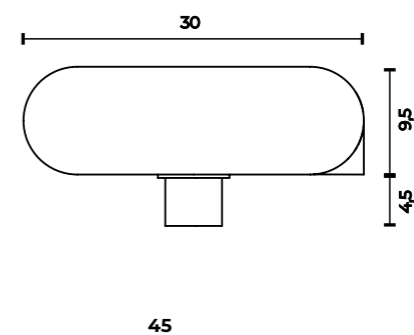
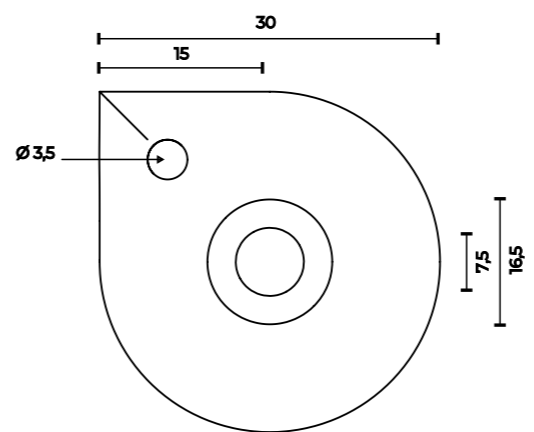
- Dimensions : 30 x 30 x 9.5 cm
- Weight: 5 kg
- With free-flow drain
- Without overflow
- Tap hole: with tap hole (Ø 3.5 cm)

Material

- Ceramic

Colors

 White 9003	 Cream 1013
 Black 7016	 Peach 1034
 Pink 3015	 Flaked Blue 5022
 Blue 5022	 Flaked Green 6000





RITUEL



AN OBJECT FOR ONESELF

Rituel takes its name from the gestures repeated every day: washing, refocusing, taking care. In a world saturated with *stimuli*, this basin becomes a moment of pause, an intimate stage where the everyday turns into ritual.



FUNCTIONAL ASYMMETRY

With its sharp angles and subtly contoured surface, Rituel embodies a singular design language. Its asymmetry opens generous space for daily essentials, redefining how form meets function. Crafted to challenge conventions while preserving ease of use, this basin unites formal audacity with intuitive comfort.



CERAMIC PRESENCE

Rituel is crafted from quality ceramic, chosen for its resistance and durability over time. Care given to enamels and finishes ensures a clean, lasting, and easy-to-maintain surface. A material choice consistent with the basin's and hand basin's formal demand.



RITUEL BASIN

CONTENTS

DESCRIPTION

Rituel, a designer basin with a silhouette both soft and raw, created to elevate your wellness rituals.

FEATURES

General

- Countertop basin
- Warranty: 2 years
- Franco-Italian manufacturing
- *Note: drain included, faucet and siphon not included*

Technical information

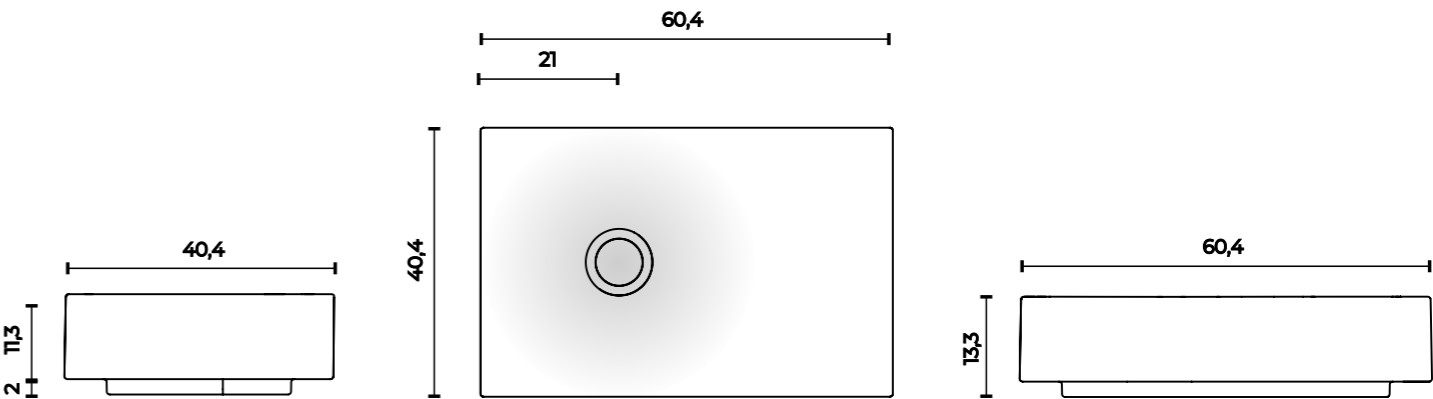
- Dimensions : 60,4 x 40,4 x 13,3 cm
- Weight: 20 kg
- With free-flow drain
- Without overflow
- Tap hole options: no tap hole (for wall-mounted or floor-mounted faucets, or on furniture)

Material

- Ceramic

Colors

	White 9003		Cream 1013
	Black 7016		Peach 1034
	Pink 3015		Flaked Blue 5022
	Blue 5022		Flaked Green 6000



RITUEL HAND-BASIN

DESCRIPTION

Rituel, a compact, minimalist, and designer hand basin, perfectly suited to small spaces.

FEATURES

General

- Countertop or wall-hung hand basin
- Warranty: 2 years
- Franco-Italian manufacturing
- *Note: drain included, faucet and siphon not included*

Technical information

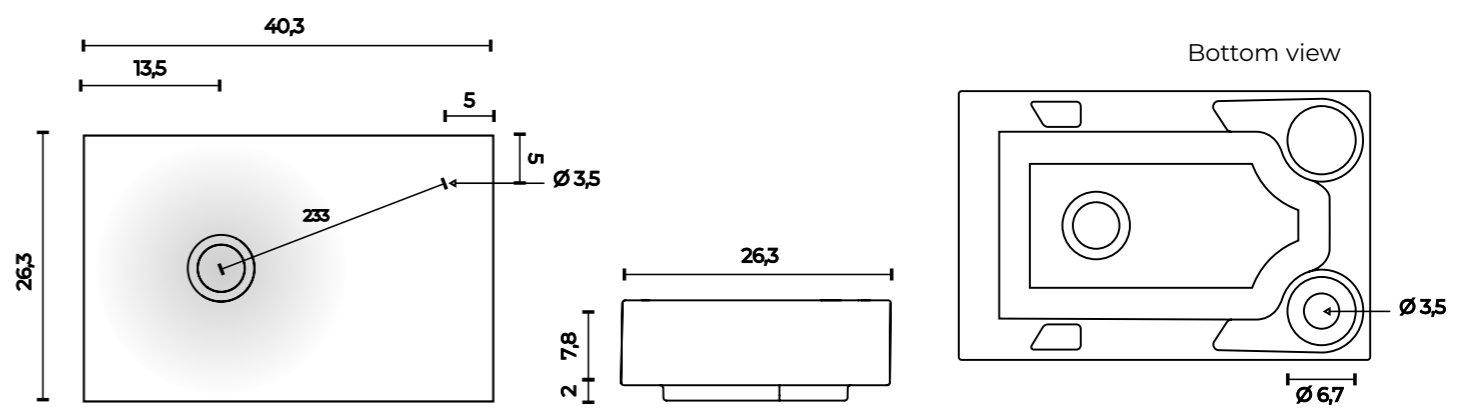
- Dimensions : 40.3 x 26.3 x 9.8 cm
- Weight: 5 kg
- With free-flow drain
- Without overflow
- Tap hole: with tap hole (Ø 3.5 cm)

Material

- Ceramic

Colors

 White 9003	 Cream 1013
 Black 7016	 Peach 1034
 Pink 3015	 Flaked Blue 5022
 Blue 5022	 Flaked Green 6000





MIXER TAPS



BOLD AND POWERFUL DESIGN

Our mixers embody a collection with character. While their lines are soft and rounded, their silhouettes command presence.



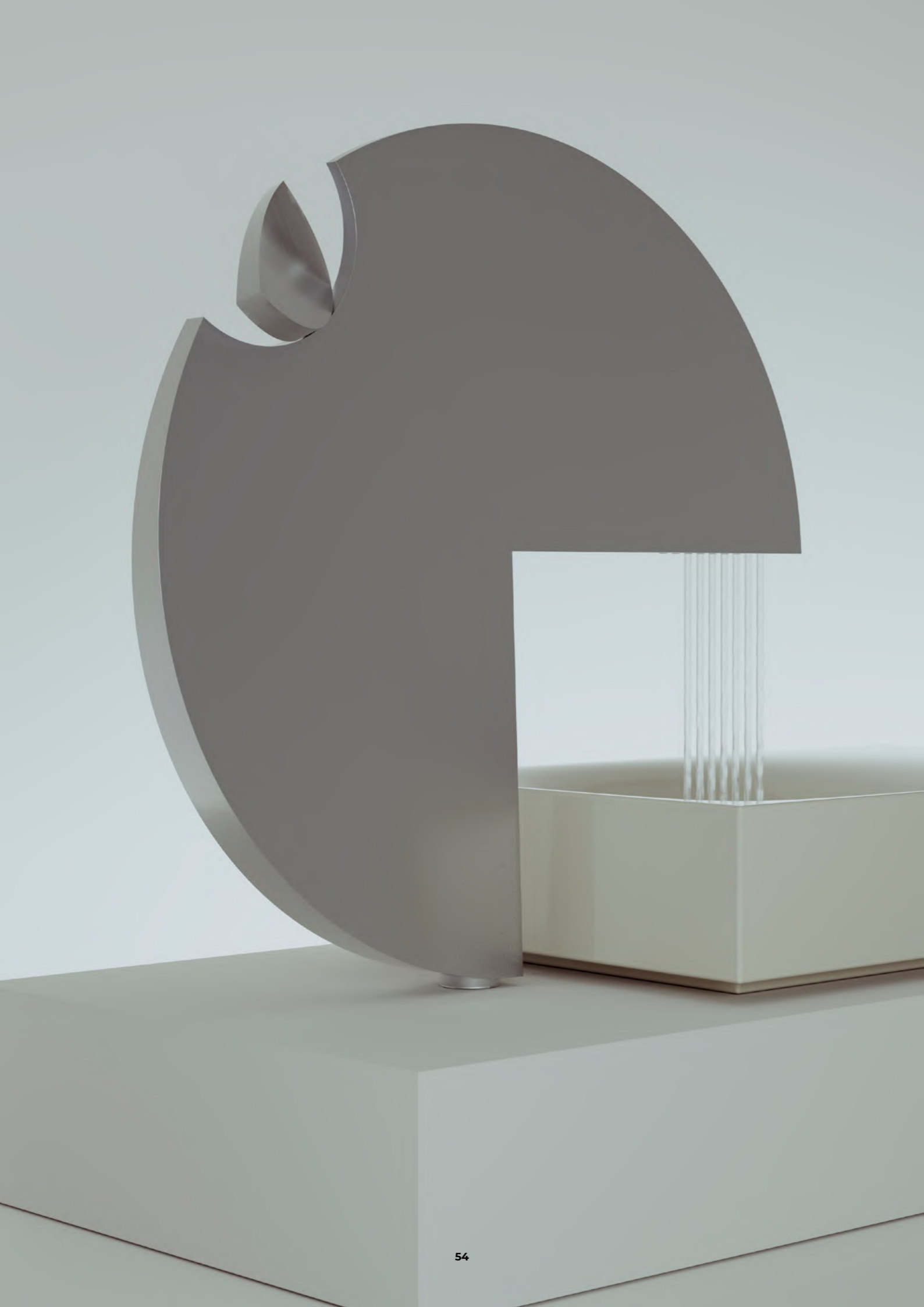
DESIGNED TO LAST

These mixers combine high-quality materials with practicality. The stainless-steel finish resists corrosion, fingerprints, and limescale deposits, making daily maintenance easy.



HARMONY REDISCOVERED

The clean, timeless, and assured design of this range is crafted to blend seamlessly with the washbasins and hand basins from the Orbe and Rituel collections.



DESCRIPTION

Celeste reinvents the mixer as an architectural piece. Its oversized scale, solar form, and water column elevate both the space and the ritual of washing hands. Beneath its sleek lines, a discreet handle orchestrates the flow of water, which runs in uniform, parallel, perfect streams.

FEATURES

General

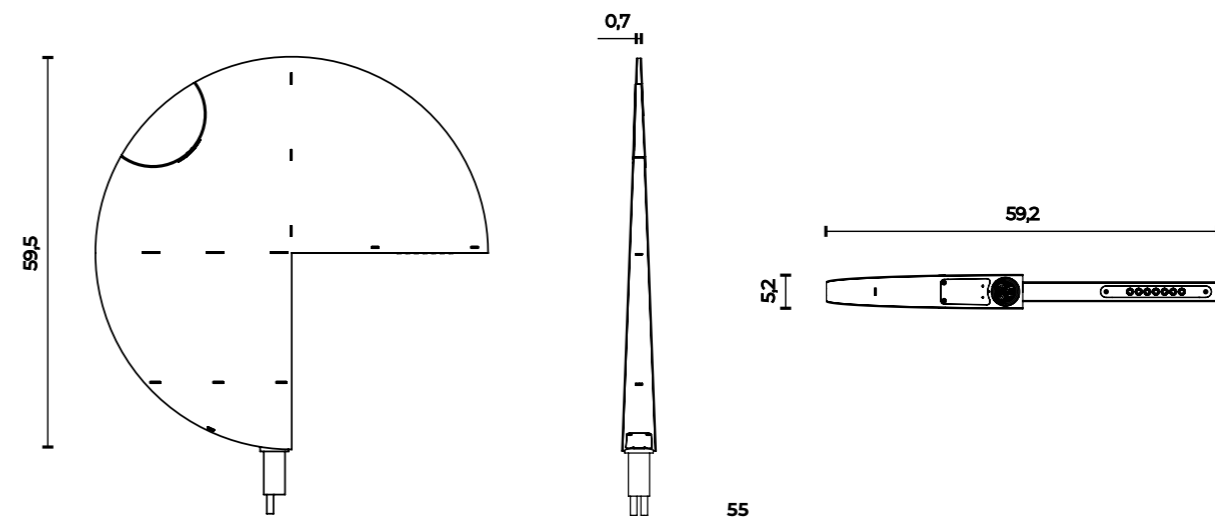
- Mechanism: Progressive cartridge (Hot and Cold water)
- Mounting: countertop
- Flow rate: 10 L/min

Technical information

- Dimensions : 59.5 x 59.2 x 5.2 cm
- Weight: 10 kg

Material

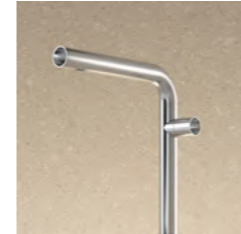
- Mirror-polished stainless steel



GENERAL FEATURES

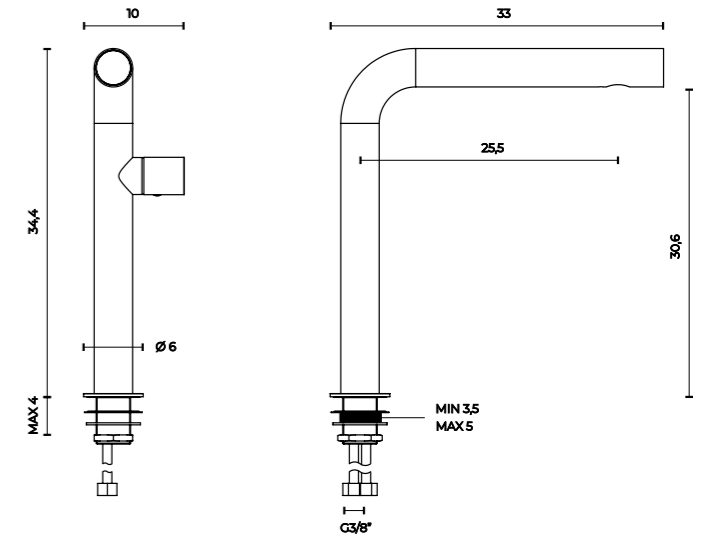
- Adjustable water temperature
- Warranty: 15 years
- Franco-Italian manufacturing
- Material: Brushed stainless steel

BASIN MIXER – COUNTERTOP

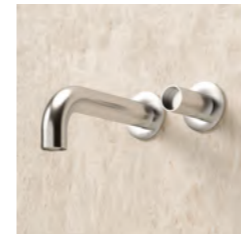


Technical information

- Dimensions : 32.4 x 21.8 x 24 cm
- Spacing: 165 mm
- Connection: G 3/8"
- Weight: 2.65 kg
- Flow rate: 6 L/min

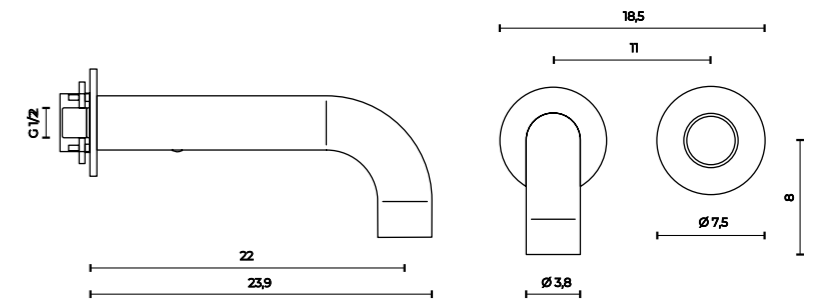


BASIN MIXER – WALL-MOUNTED / BUILT-IN

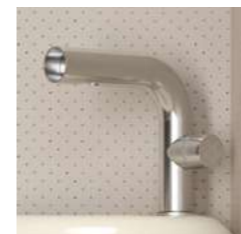


Technical information

- Dimensions : 22 x 18.5cm
- Spacing: 110 mm
- Connection: G 1/2"
- Weight: 3.36 kg
- Flow rate: 4 L/min

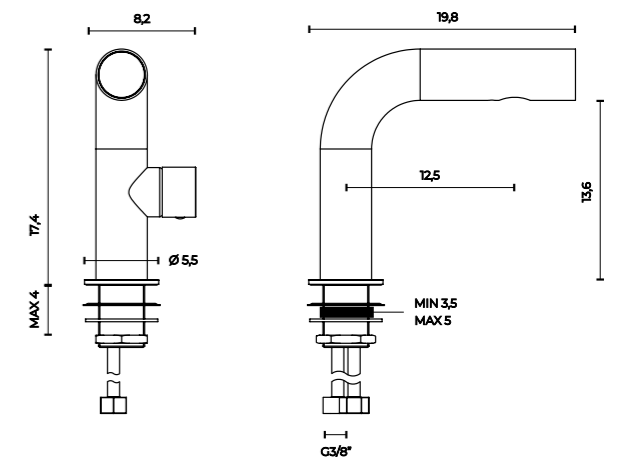


HAND BASIN MIXER



Technical information

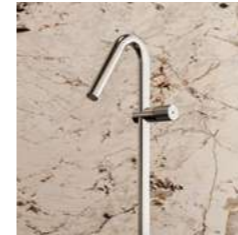
- Dimensions : 17.4 x 13.6 x 20 cm
- Connection: G 3/8"
- Weight: 2.15 kg
- Flow rate: 6 L/min



GENERAL FEATURES

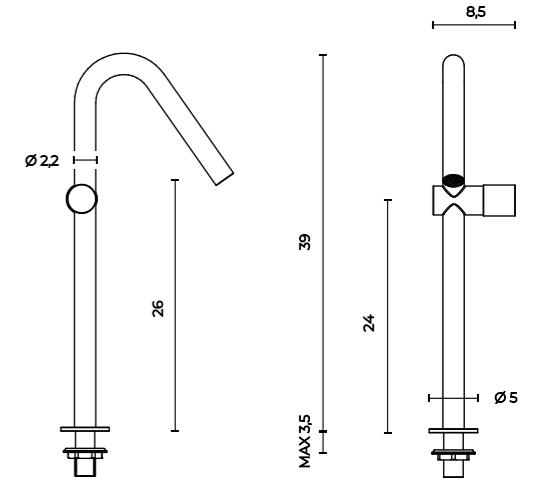
- Adjustable water temperature
- Warranty: 15 years
- Franco-Italian manufacturing
- Material: Brushed stainless steel

BASIN MIXER – COUNTERTOP

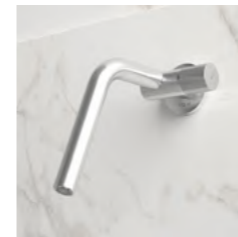


Technical information

- Dimensions : 24 x 8.5 x 24 cm
- Spacing: 220 mm
- Connection: G 3/8"
- Weight: 1.88 kg
- Flow rate: 6 L/min

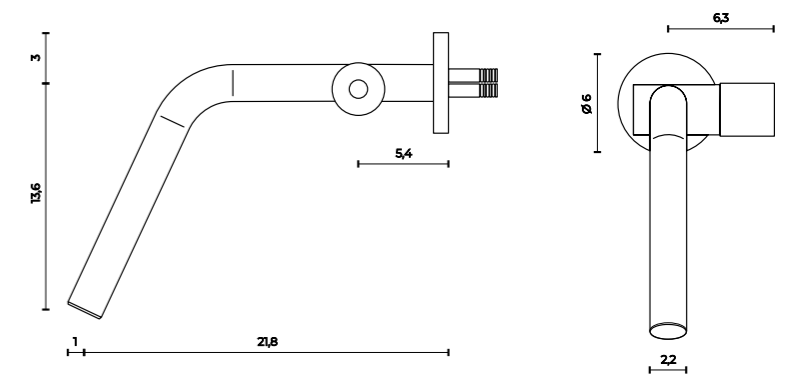


BASIN MIXER – WALL-MOUNTED / BUILT-IN

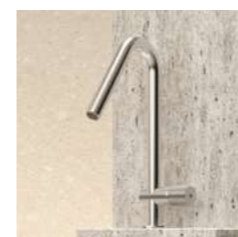


Technical information

- Dimensions : 21.8 x 5.4 x 6.3 cm
- Connection: G 3/8"
- Weight: 1.96 kg
- Flow rate: 6 L/min

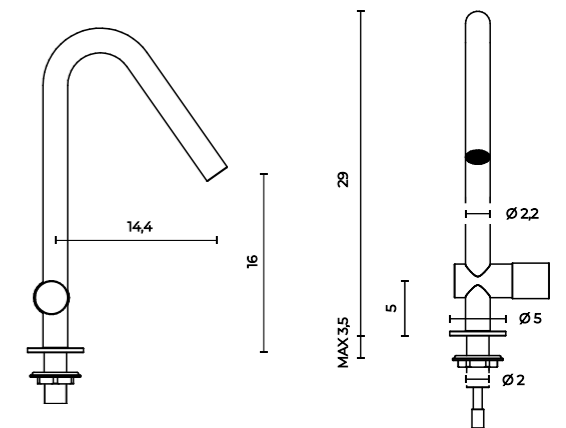


HAND BASIN MIXER



Technical information

- Dimensions : 29 x 14.4 x 16 cm
- Connection: G 3/8"
- Weight: 1.87 kg
- Flow rate: 6 L/min



SIPHONS



DISCREET ELEGANCE

With its straight lines and formal balance, Encelade fits perfectly beneath the basin. Neither hidden nor ostentatious, it asserts a discreet presence that suits both contemporary interiors and more classic aesthetics.

COMPATIBLE AND EASY TO INSTALL

Encelade adapts to standard wall-mounted installations and works with most basins and hand basins. Quick to set up, with no technical constraints, it is a reliable accessory serving the essentials.

FEATURES

General

- Adjustable siphon
- Warranty: 15 years
- Franco-Italian manufacturing
- Compatible with basins and hand basins

Technical information

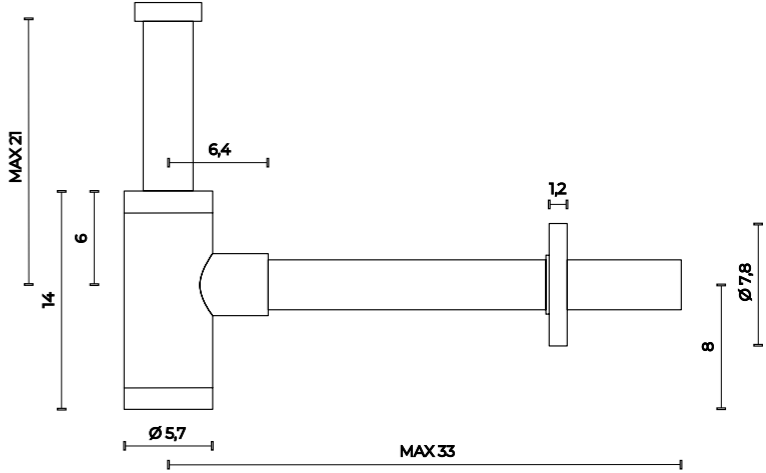
- Total length: 330 mm (max)
- Height under outlet: 210 mm (max)
- Siphon height: 140 mm
- Width: 80 mm
- Connection: G 1"1/4
- Waste pipe diameter: Ø 32 mm
- Weight: 0.67 kg

Material

- Brushed stainless steel



STANDARD



FEATURES

General

- Adjustable siphon
- Warranty: 15 years
- Franco-Italian manufacturing
- Compatible with basins and hand basins

Technical information

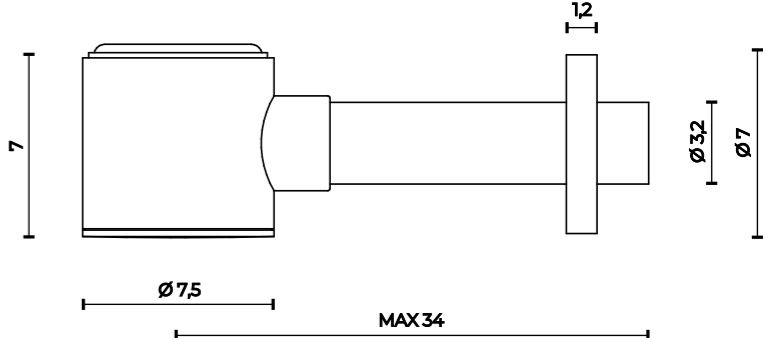
- Depth (from wall to front of siphon): max. 340 mm
- Height (vertical outlet axis): min. 6 mm – max. 78 mm
- Siphon height: 70 mm
- Width: 75 mm
- Horizontal outlet pipe diameter: Ø 32 mm
- Weight: 0.9 kg

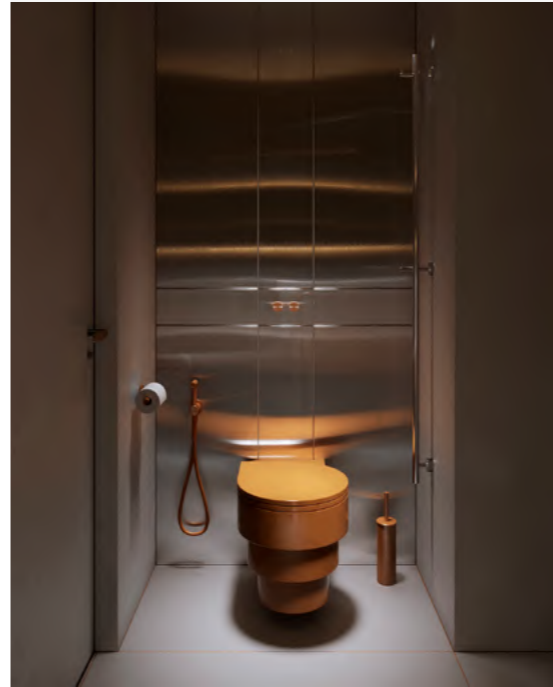
Material

- Brushed stainless steel

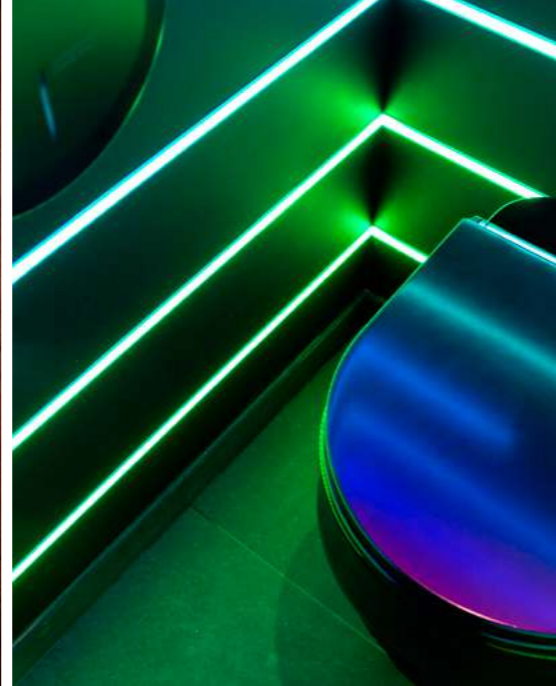


CAIN DE PLACE

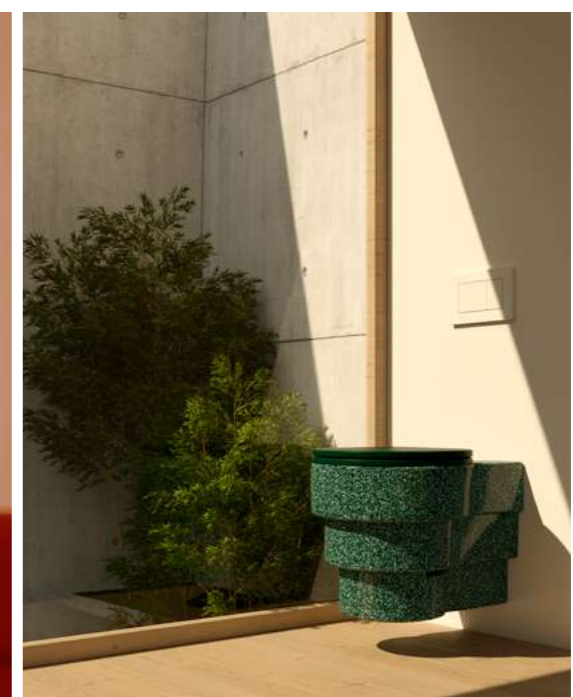




EXPERIENCES

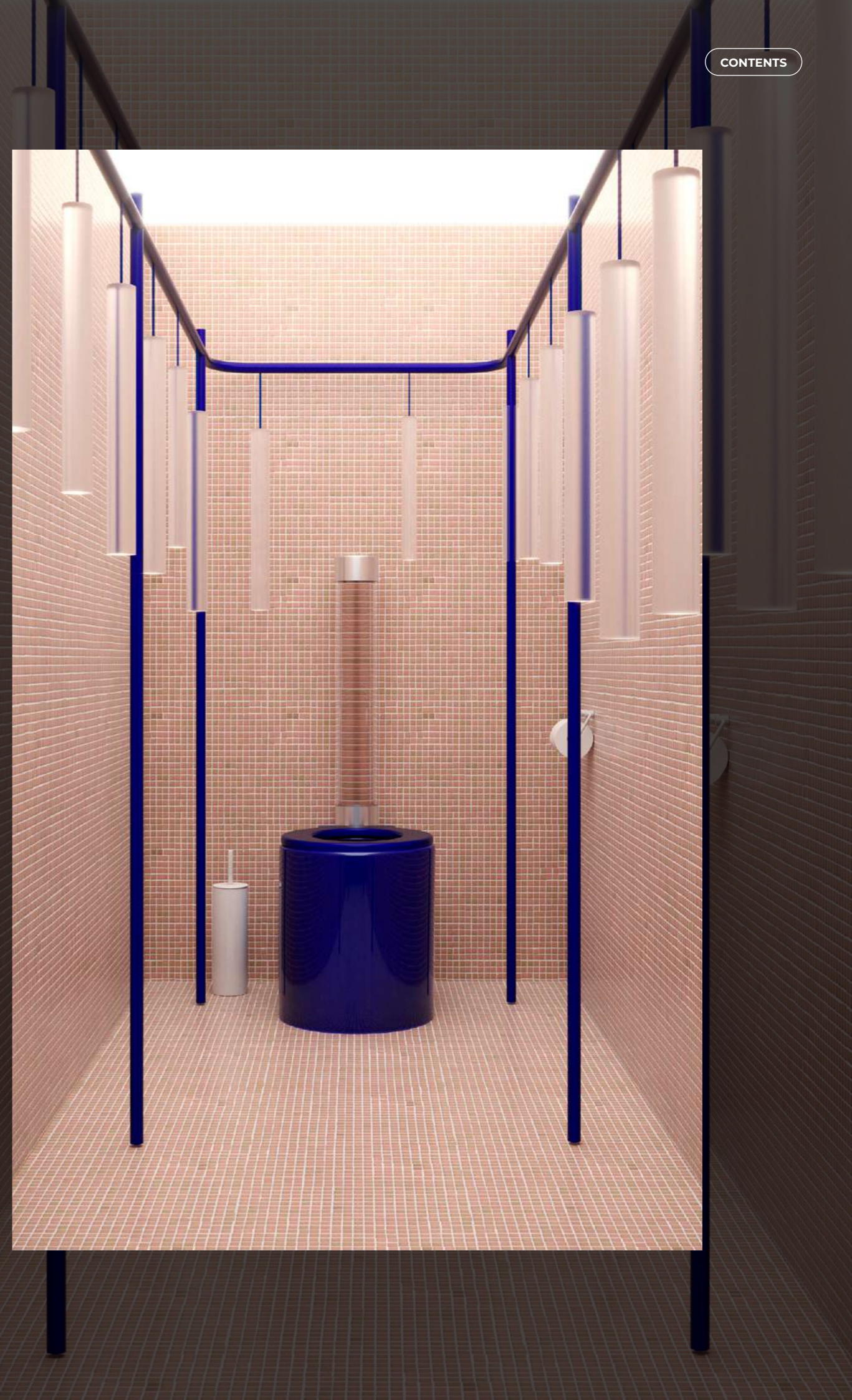












SHOWROOM



explore

contemplate

touch

be moved

A UNIQUE PLACE

Trone unveils its showroom in the heart of Paris. A singular space, embodying our universe. To discover our models, admire our colors, or feel our materials, book an appointment via troneparis.com.

20 RUE MONTGOLFIER,
75003 PARIS
MONDAY - FRIDAY
9 AM TO 7 PM



When the intimate becomes exquisite

E-MAIL : CONTACT@TRONE-PARIS.COM
PHONE : +33 1 76 36 17 12
CLIENT SUPPORT : SUPPORT@TRONE-PARIS.COM



trone